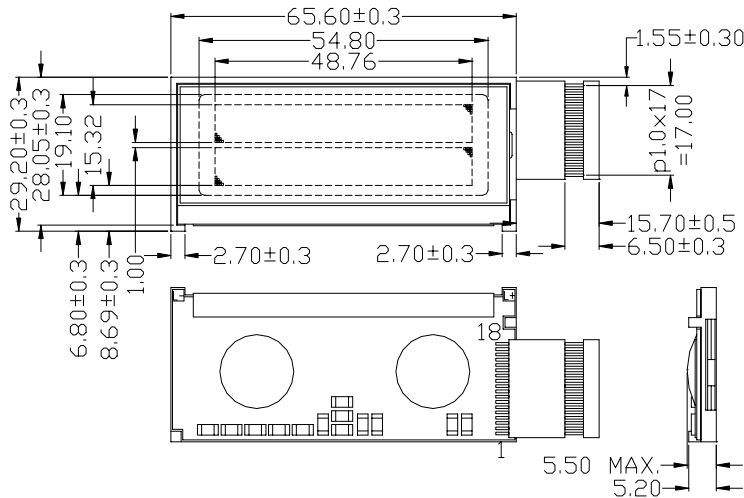
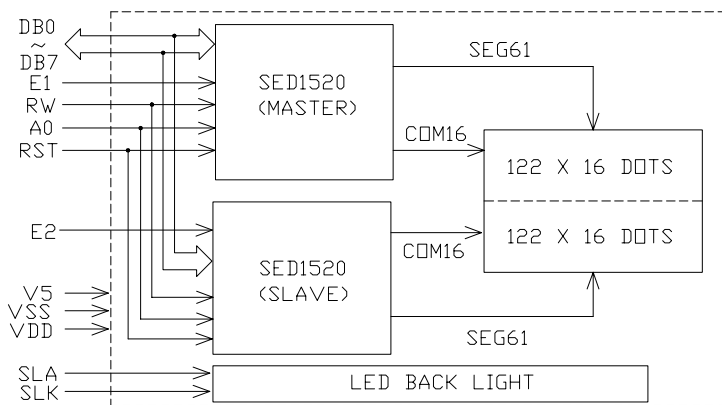


### OUTLINE DIMENSION

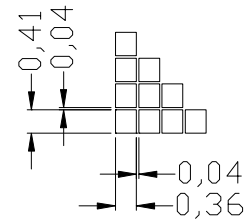


Tolerance: ± 0.20mm, unless otherwise specified.

### BLOCK DIAGRAM



### DISPLAY PATTERN



### MECHANICAL SPECIFICATION

Item	Dimensions(W)X(H)	Unit
Overall Size	65.6x29.2	MM
View Area	54.8x19.1	MM
Dot Size	0.36x0.41	MM
Dot Pitch	0.40x0.45	MM

### PIN ASSIGNMENT

Pin no	Symbol	Function
1	V <sub>DD</sub>	Power Supply(+)
2	V <sub>SS</sub>	Power Supply(GND)
3	V <sub>5</sub>	Contrast Adjust
4	RST	Reset
5	E1	Enable driver 1
6	E2	Enable driver 2
7	R/W	Data read / write
8	A0	Data/Instruction signal
9~16	DB0~DB7	Data bus line
17	SLA	Side light anode
18	SLK	Side light cathode

### ABSOLUTE MAXIMUM RATING

Item	Symbol	Condition	Min	Max	Unit
Supply for logic voltage	V <sub>DD</sub>	25	0	6.7	V
LCD driving supply voltage	V <sub>LCD</sub>	25	0	10	V
Input voltage	V <sub>I</sub>	25	0	V <sub>DD</sub>	V

### ELECTRICAL CHARACTERISTICS

Item	Symbol	Condition	Min	Typical	Max	Unit
Supply voltage for logic	V <sub>DD</sub>	---	2.7	---	4.5	V
Supply current for logic	I <sub>DD</sub>	---	---	0.3	1.0	mA
Operation voltage for LCD	V <sub>DD-VLCD</sub>	0	5.2	5.5	5.8	V
		25	5.1	5.4	5.7	V
		50	4.9	5.2	5.5	V
Input voltage "H" level	V <sub>IH</sub>	---	0.8V <sub>DD</sub>	---	V <sub>DD</sub>	V
Input voltage "L" level	V <sub>IL</sub>	---	0	---	0.2V <sub>DD</sub>	V
Supply voltage for back light	V <sub>F</sub>	---	---	2.1	2.6	V
Supply current for back light	I <sub>F</sub>	V <sub>F</sub> =2.1V	---	150	200	mA

### REMARKS:

- LCD options: STN, FSTN.
- Back light type: LED Back light feature.